

# BERNAT® *Blanket* Stitch Along

**JO-ANN**  
fabric and craft stores

2016 MYSTERY CROCHET ALONG

1  EASY

## CLUE #3



## MATERIALS

**Bernat® Blanket™** (10.5 oz/300 g; 220 yds/201 m)

**Contrast C** Dark Grey (10044)

**Contrast D** Crimson (10786)

Size U.S. M/13 (9 mm) crochet hook **or size needed to obtain gauge.**

## ABBREVIATIONS:

**Approx** = Approximate(ly)

**Beg** = Begin(ning)

**Ch** = Chain(s)

**Cont** = Continue(ity)

**Dc** = Double crochet

**Hdc** = Half double crochet

**Puff st** = (Yoh and draw up a loop)  
3 times in next st. Yoh and draw  
through all loops on hook.

**Rep** = Repeat

**Rem** = Remain(ing)

**Rnd(s)** = Round(s)

**RS** = Right side

**Sc** = Single crochet

**Sl st** = Slip stitch

**Sp(s)** = Space(s)

**St(s)** = Stitch(es)

**WS** = Wrong side

**Yoh** = Yarn over hook

## MEASUREMENTS

Finished clue size approx  
54 x 72" [137 x 183 cm].

## GAUGE

6 dc and 3 rows = 4" [10 cm].

# BERNAT® *Blanket* Stitch Along

**JO-ANN**  
fabric and craft stores

2016 MYSTERY CROCHET ALONG

## INSTRUCTIONS

**Top edge:** With WS facing, join C with sl st to 3rd sc of top right corner. (See diagram on page 7).

**1st row:** (WS). Ch 1. 1 sc in same sp as sl st. \*Ch 1. Skip next sc. 1 sc in next sc. Rep from \* ending with 1 sc in 2nd sc of next corner. Turn. 67 sts.

**2nd row:** (RS). Ch 1. 1 sc in first sc. 1 sc in each sc and ch-1 sp to end of row. Turn.

**3rd row:** Ch 1. 1 sc in first sc. \*Ch 1. Skip next sc. 1 sc in next sc. Rep from \* to end of row. Turn.

**4th row:** Ch 2 (counts as hdc). Puff st in next ch-1 sp. \*Ch 1. Skip next sc. Puff st in next ch-1 sp. Rep from \* to last sc. 1 hdc in last sc. Turn.

**5th row:** Ch 1. 1 sc in first hdc. Ch 1. Skip next Puff st. \*1 sc in next ch-1 sp. Ch 1. Skip next Puff st. Rep from \* to last st. 1 sc top of ch-2. Turn. Rep rows 2 to 5 once more. Fasten off.

**Bottom edge:** With WS facing, join C with sl st to 3rd sc of bottom left corner. Work as given for Top edge without fastening off at end of last row. Turn.

**Border: 1st rnd:** (RS). Ch 1. 3 sc in first sc. 1 sc in each sc and ch-1 sp to last sc. 3 sc in last sc. Work 12 sc evenly along side of Bottom edge. Cont along side edge, 1 sc in each sc to side of Top edge. Work 12 sc evenly along side of Top edge. Cont along top of work, 3 sc in first sc. 1 sc in each sc to last sc. 3 sc in last sc. Work 12 sc evenly along rem side of Top edge. Cont along side edge, 1 sc in each sc to rem side of Bottom edge. Work 12 sc evenly along rem side of Bottom edge. Join with sl st to first sc. 324 sts.

**2nd rnd:** Sl st in next sc (corner sc). Ch 1. \*(1 sc. Ch 1. 1 sc) in corner sc. Ch 1. Skip next sc. (1 sc in next sc. Ch 1. Skip next sc) to next corner sc.

Rep from \* around. Join with sl st to first sc. 340 sts + 4 corner ch-1 sps.

**3rd rnd:** Sl st in first ch-1 sp (corner sp). Ch 2. \*(Puff st. Ch 2. Puff st) in corner sp. Ch 1. Skip next sc. (Puff st in next ch-1 sp. Ch 1. Skip next sc) to next corner ch-1 sp. Rep from \* around. Join with sl st to first Puff st. 348 sts + 4 corner ch-1 sps.

**4th rnd:** Sl st in first ch-2 sp (corner). Ch 1. \*(1 sc. Ch 1. 1 sc) in corner ch-2 sp. Ch 1. Skip next Puff st. (1 sc in next ch-1 sp. Ch 1. Skip next Puff st) to next corner ch-2 sp. Rep from \* around. Join with sl st to first sc. Fasten off. 356 sts + 4 corner ch-1 sps.

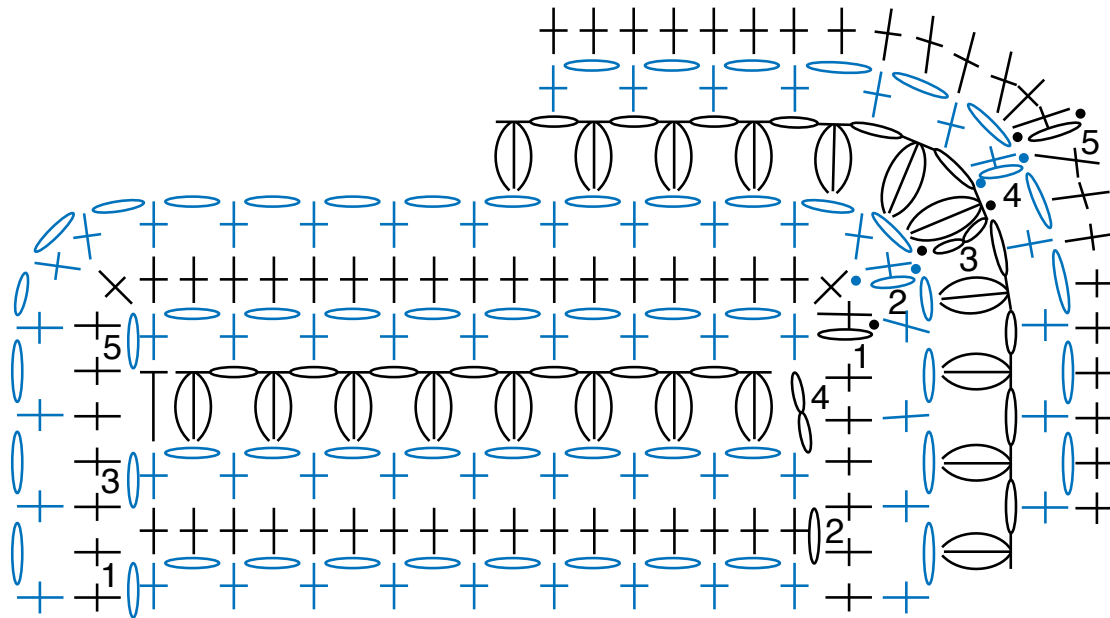
**5th rnd:** Join D with sl st to first corner ch-1 sp. Ch 1. 3 sc in same sp as last sl st. 1 sc in each sc and ch-1 sp around having 3 sc in each corner. Join with sl st to first sc. Fasten off. 368 sc.

# BERNAT® Blanket

## Stitch Along

**JO-ANN**  
fabric and craft stores

2016 MYSTERY CROCHET ALONG



- STITCH KEY
- = chain (ch)
  - = slip st (sl st)
  - † = single crochet (sc)
  - ⊖ = Puff stitch (Puff st)

CLUE #3  
TOP EDGE/BOTTOM EDGE AND BORDER