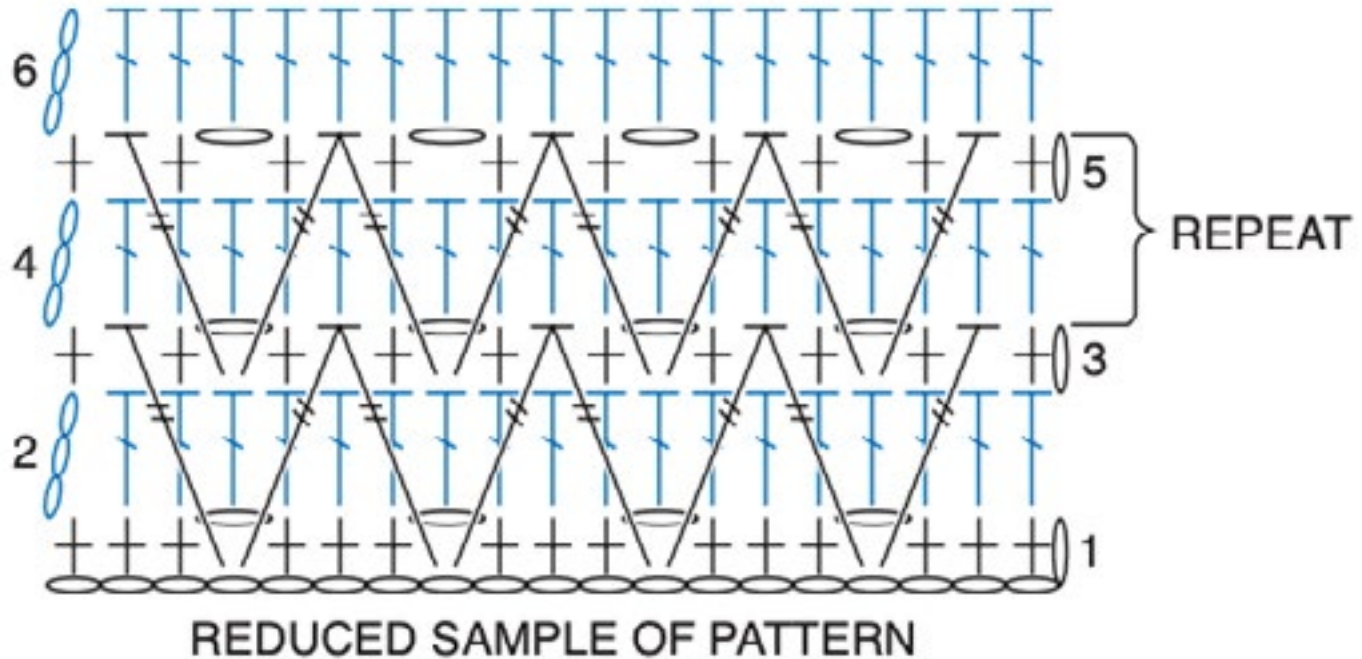


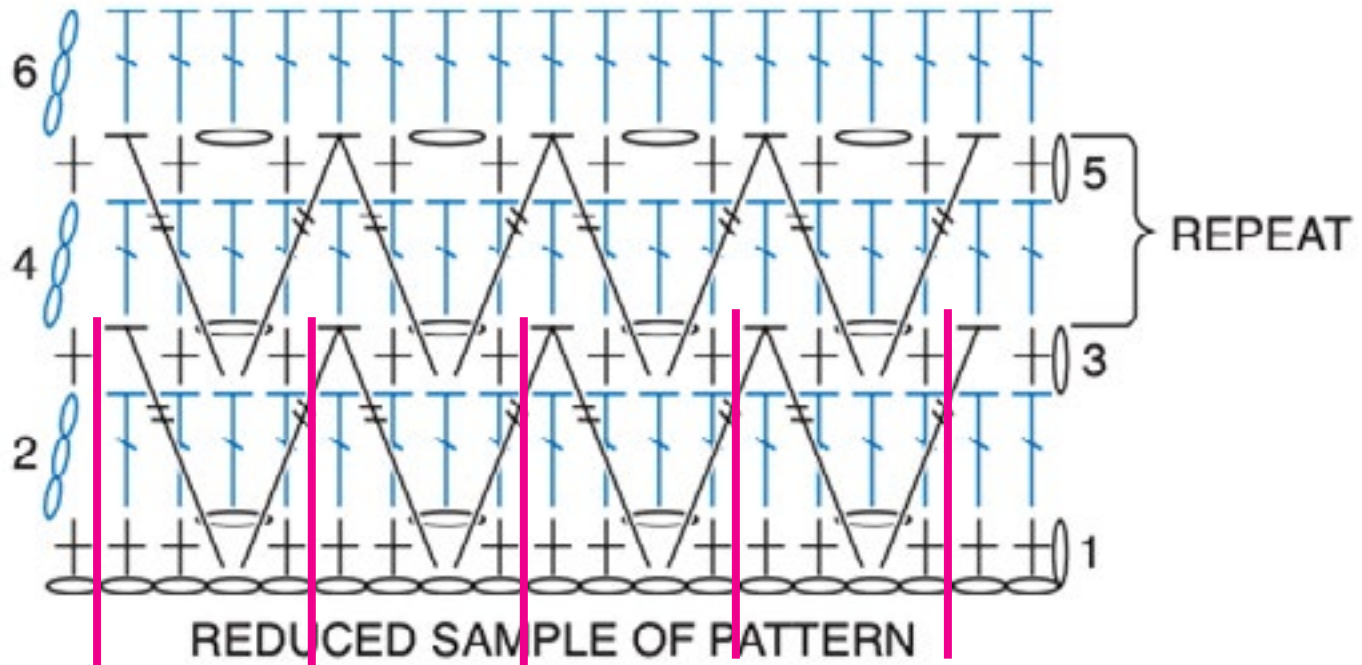
WHAT IS THE STITCH REPEAT TO CHANGE THE WIDTH?

DRAW VERTICAL LINES WHERE YOU THINK THERE IS A REPEAT.



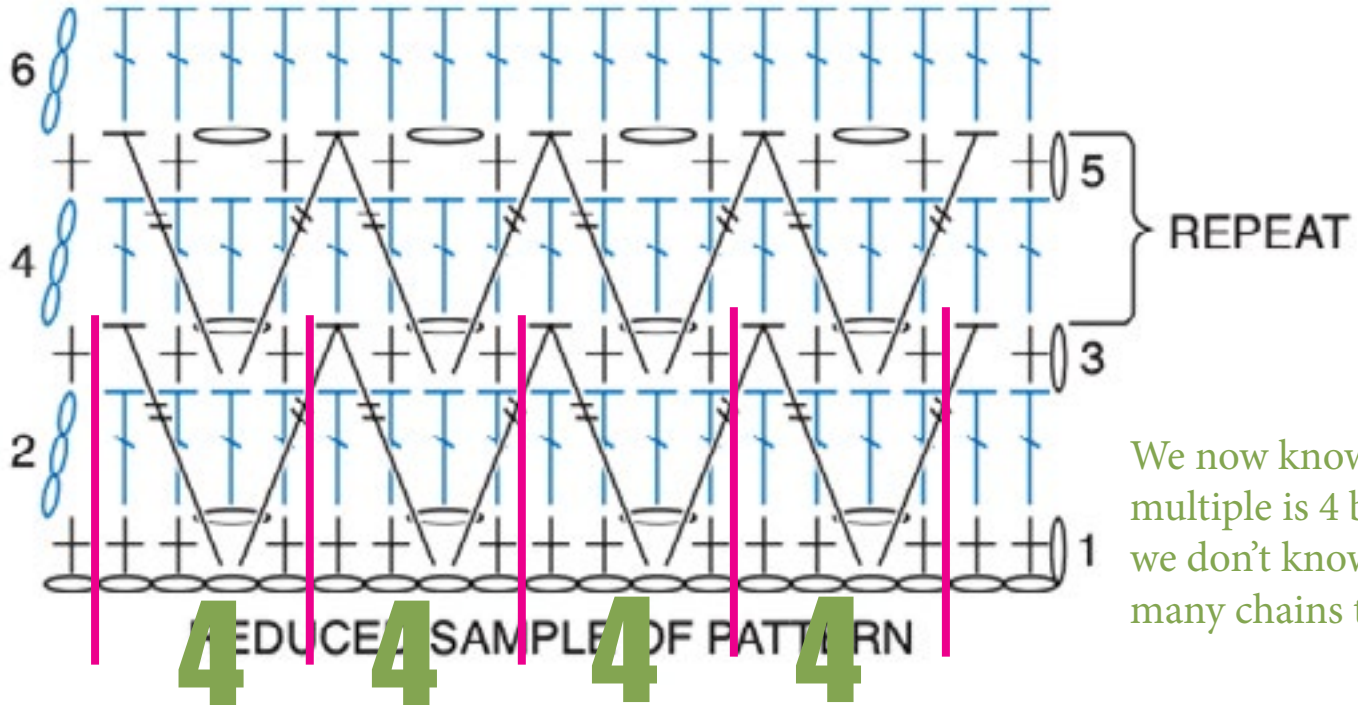
WHAT IS THE STITCH REPEAT TO CHANGE THE WIDTH?

IN THIS EXAMPLE, LOOK TO ROW 3...



WHAT IS THE STITCH REPEAT TO CHANGE THE WIDTH?

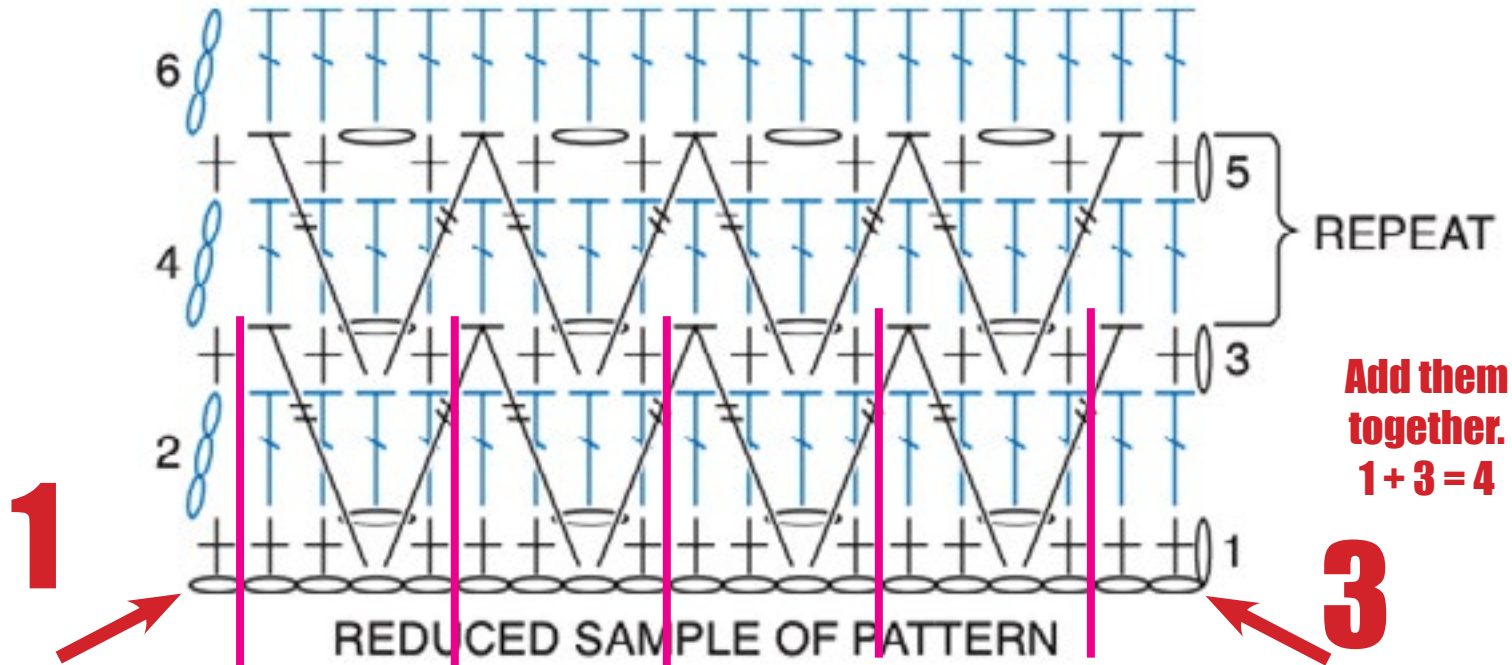
HOW MANY CHAINS ARE BETWEEN THE LINES YOU DREW?



We now know the multiple is 4 but we don't know how many chains to add.

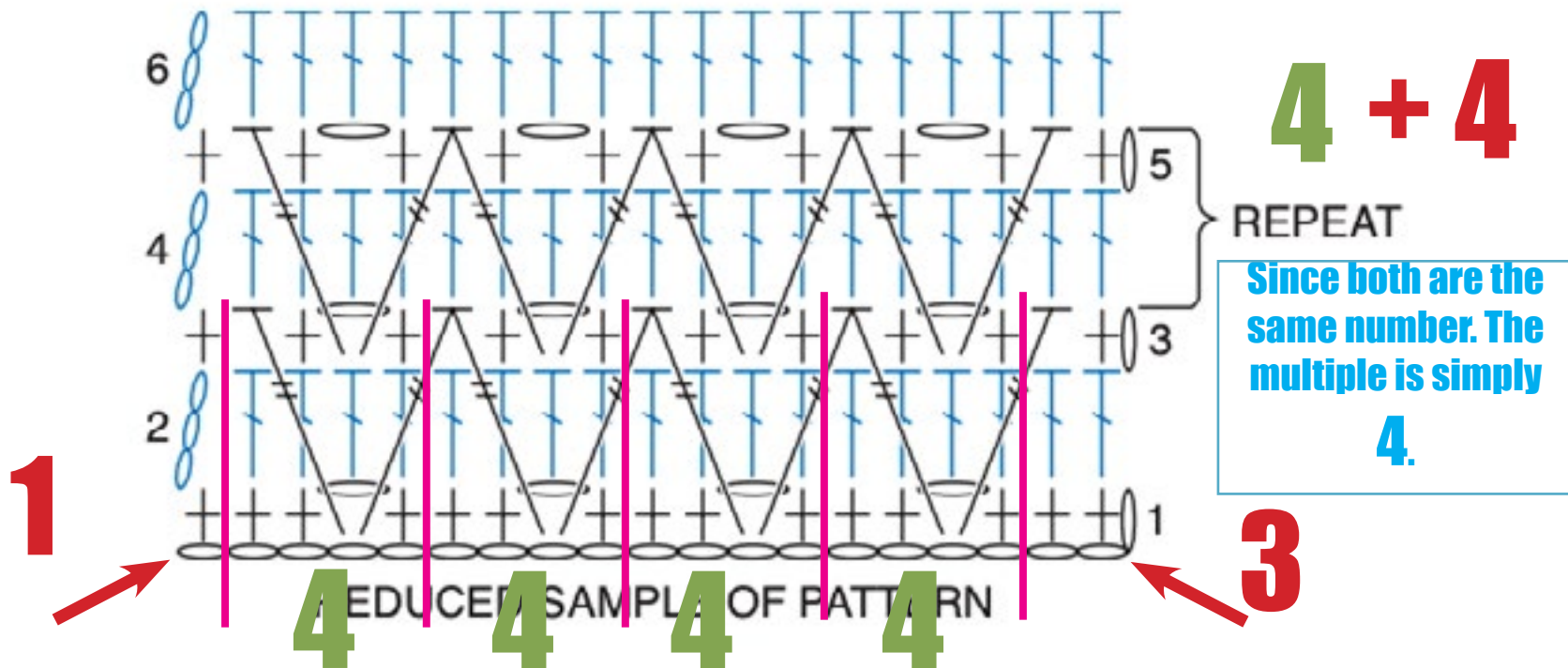
WHAT IS THE STITCH REPEAT TO CHANGE THE WIDTH?

HOW MANY CHAINS ARE NOT BETWEEN THE REPEAT LINES?



WHAT IS THE STITCH REPEAT TO CHANGE THE WIDTH?

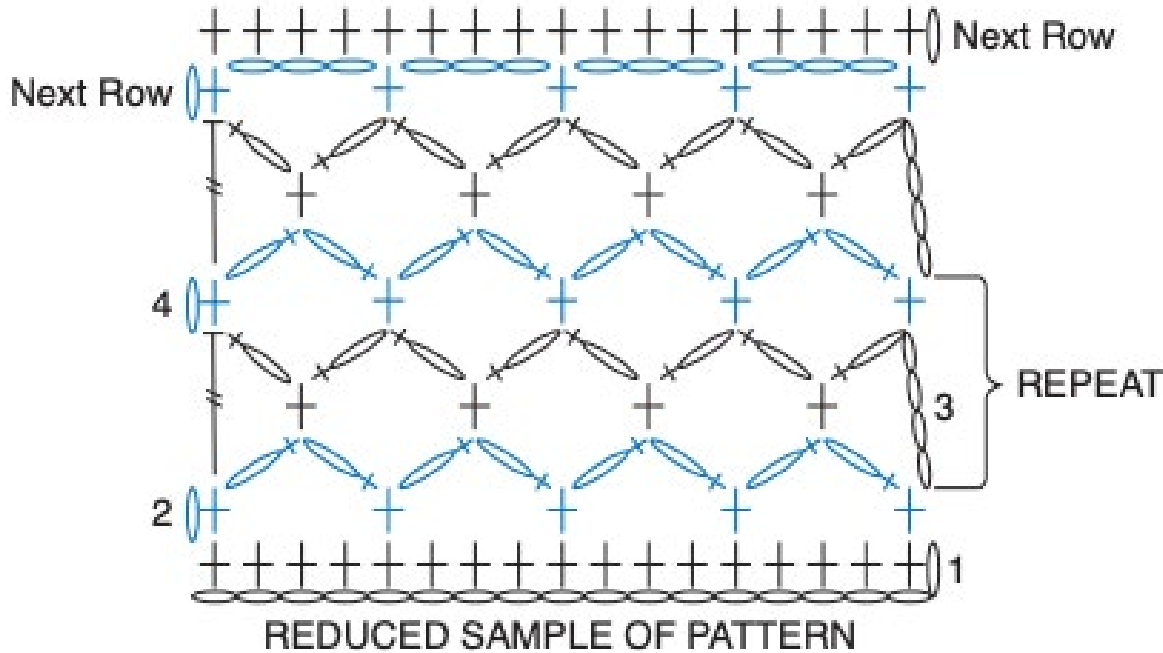
PUT THE MULTIPLE IN FRONT OF THE + EXTRA CHAINS.



WHAT IS THE STITCH REPEAT TO CHANGE THE WIDTH?

TEST YOUR NEW KNOWLEDGE...

Check Your Answer Here... It's written on the notes of the pattern.



For me, I can only figure this out by drawing or reading the diagram.

This [video tutorial](#) will get you started. It's 30 minutes and free. Get started right here to begin.